

## Ruthmann Steiger® TBR260 HV5

↑  
**26 m**  
↓  
Maximum  
working  
height



Constructed to the high standards we expect from Ruthmann, the TBR260 HV5 provides up to 26 metres of working height and 16.1 metres of outreach. The TBR260 HV5 is fitted with a Rüssel jib with a swivelling range of 180°, giving increased agility and precise positioning. Its work cage has a capacity of 300Kg and 2 x 85° rotation. This MEWP is equipped with four-wheel drive and available for hire across the UK with one of our operators.

### Material Handling Capabilities

- ✓ Cage capacity of 300 kg
- ✓ Glass lifting brackets available

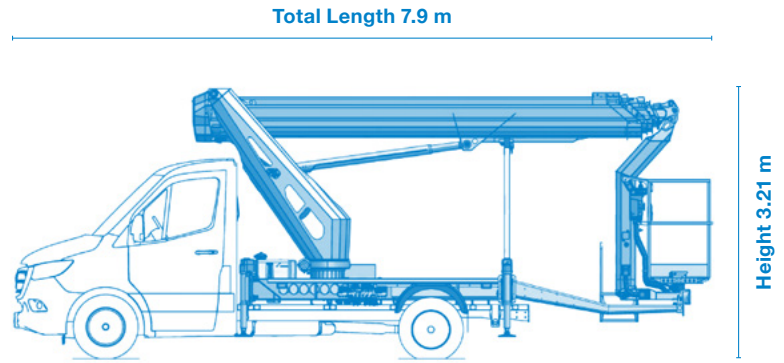
### Key Benefits & Features

- ✓ Four-wheel drive
- ✓ Negative reach of up to 2 m
- ✓ Rüssel jib with 180° rotation
- ✓ Work basket with 2 x 85° rotation

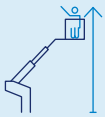
### Available for Hire with

- ✓ Glass lifting brackets

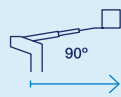
## Ruthmann Steiger® TBR260 HV5



**26.16 m**  
Working Height



**16.1 m**  
Lateral Outreach



**L1.4 x  
W0.7 (m)**  
Standard Cage  
Dimensions



**L1.4 x  
W0.7 (m)**  
Maximum Cage  
Dimensions



**300 kg**  
Cage Capacity



**2 x 85°**  
Cage Rotation



**3.21 m**  
Transport Height



**7.9 m**  
Transport Length



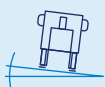
**5 t**  
Gross  
Weight



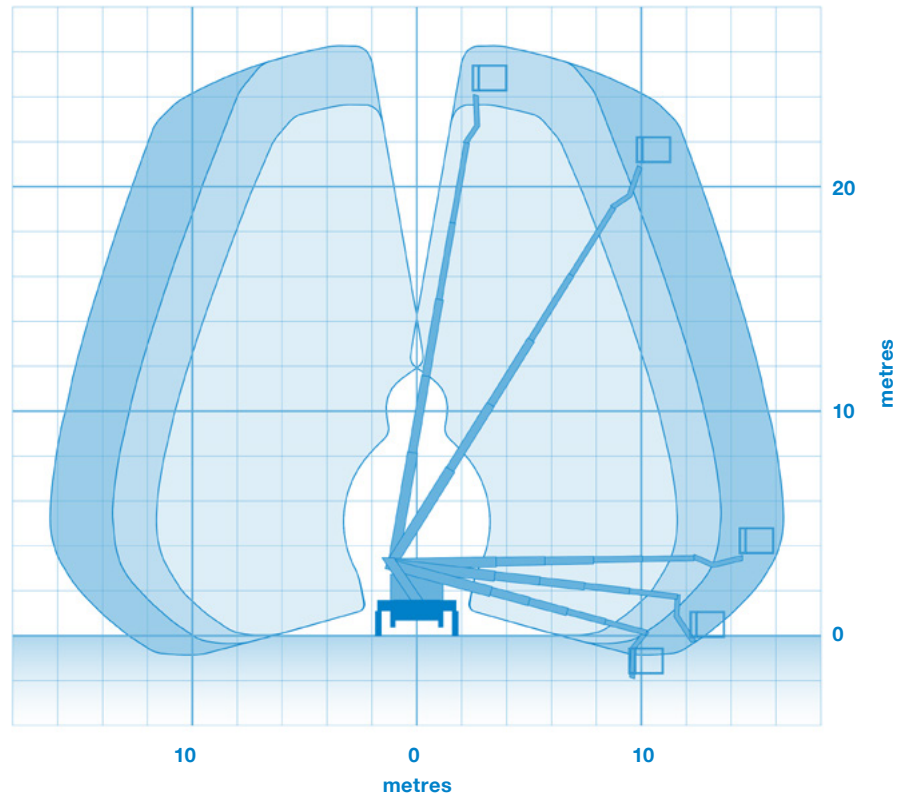
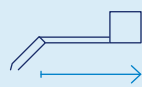
**49 kN**  
Maximum  
Outrigger Loading



**5°**  
Permissible  
Inclination



**2 m**  
Fixed Jib Length



All measurements and weights are approximate and refer to the standard basic execution. Technical alterations reserved.

We can also provide the following services:

Contract lifting | Traffic management | Ground protection | Rigging services | Rope access | FM services