

Palfinger P900

↑
90 m
↓
Maximum
working
height



One of the highest truck mounted MEWPs in the world the Palfinger P900 has an amazing 90 meters of working height. The only access platform that can reach its full lateral outreach of 32.3 m when carrying its maximum 530 kg cage capacity, very useful when you can't set up directly below your workplace.

Material Handling Capabilities

- ✓ Cage capacity of 530 kg
- ✓ Cage winch available
- ✓ Lifting brackets available
- ✓ Extendable work cage

Key Benefits & Features

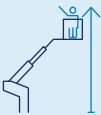
- ✓ 32.3 m of lateral outreach
- ✓ Negative reach of up to 8 m
- ✓ On-board generator supplies 110V, 230V & 400V power to work cage

Available for Hire with

- ✓ 2 x 150 kg cage winches
- ✓ Lifting brackets
- ✓ Camera attachment or lighting rig
- ✓ Air & water in the work cage

Palfinger P900

90 m
Working Height



**L2.15 x
W0.95 (m)**
Standard Cage
Dimensions



530 kg
Cage Capacity



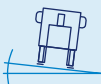
4 m
Transport Height



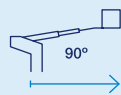
46.5 t
Gross
Weight



0°
Permissible
Inclination



32.3 m
Lateral Outreach



**L3.45 x
W0.95 (m)**
Maximum Cage
Dimensions



2 x 84°
Cage Rotation



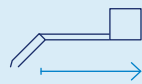
16.15 m
Transport Length



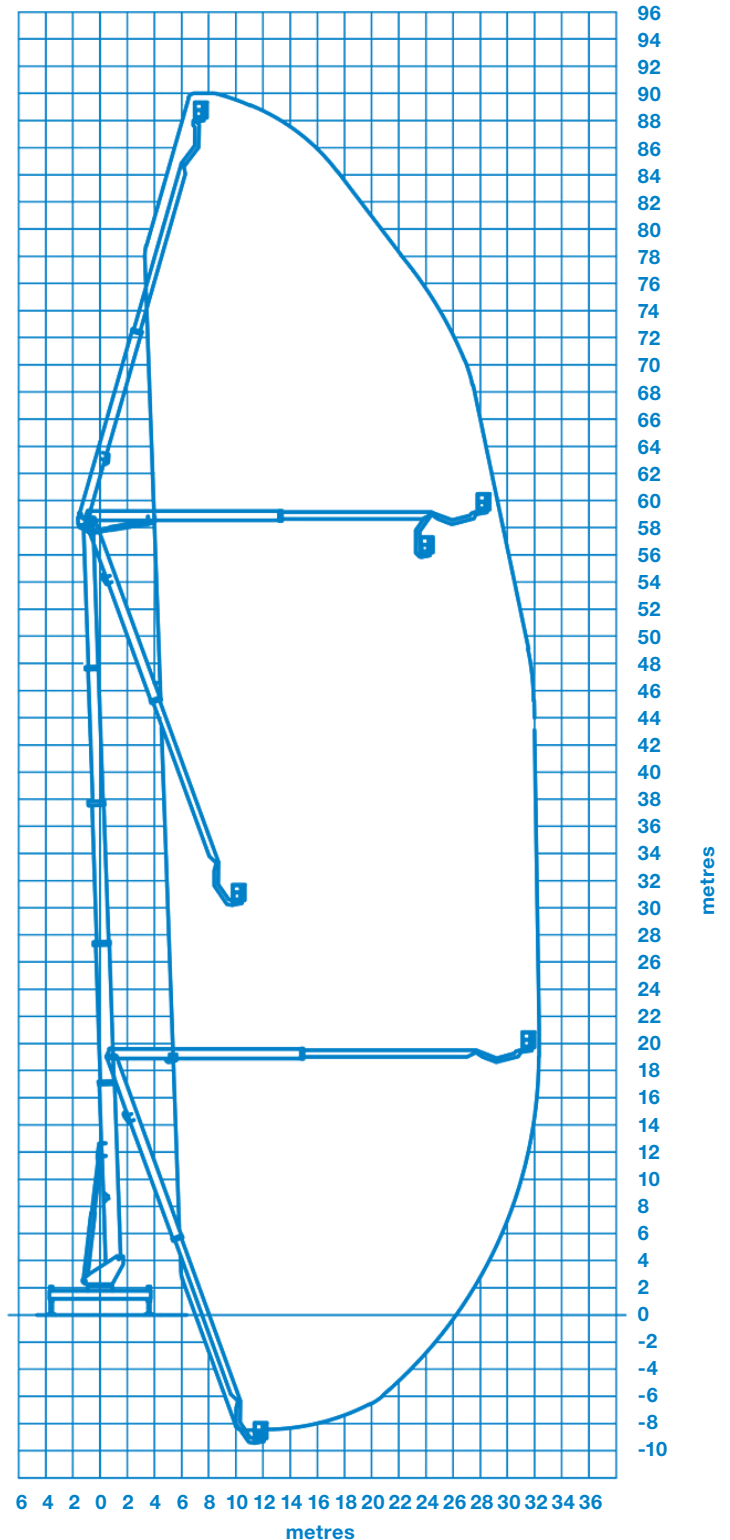
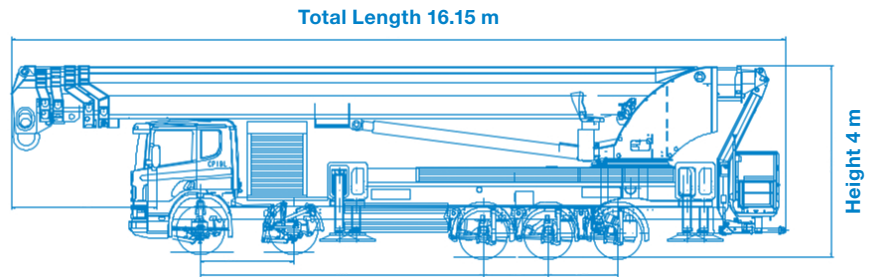
345 kN
Maximum
Outrigger Loading



32 m
Maximum
Jib Length



All measurements and weights are approximate and refer to the standard basic execution. Technical alterations reserved.



We can also provide the following services:

Traffic Management ▶ Trackway ▶ Rope Access ▶ Lifting solutions