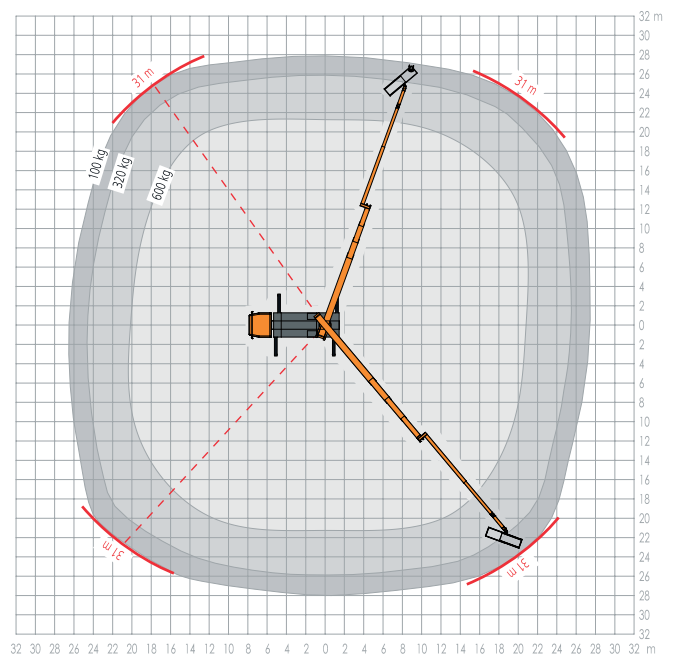
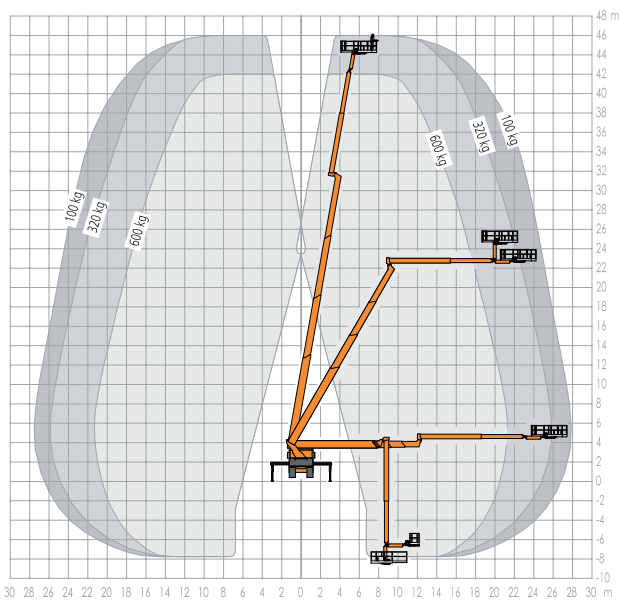




**RUTHMANN T 460**

	Working height	46.00 m		Total height	3.75 m
	Lifting height	44.00 m		Total length	10.40 m
	Lateral Outreach*	31.00 m		Permissible inclination	2°
	Working cage size	2.42 x 0.97 m		Permissible total weight ≥	18,000 Kg
	Max. working cage size	3.82 x 0.97 m		Range of rotation	500°
	Working cage load	600 Kg		Swivelling angle of the jib/RÜSSEL®	180°
* depending on load, angle of rotation and outfit				Swivelling angle of upper boom	180°

more information: [www.elev8hire.com](http://www.elev8hire.com)



All measurements and weights are approximate and refer to the standard basic execution. Technical alterations reserved.