

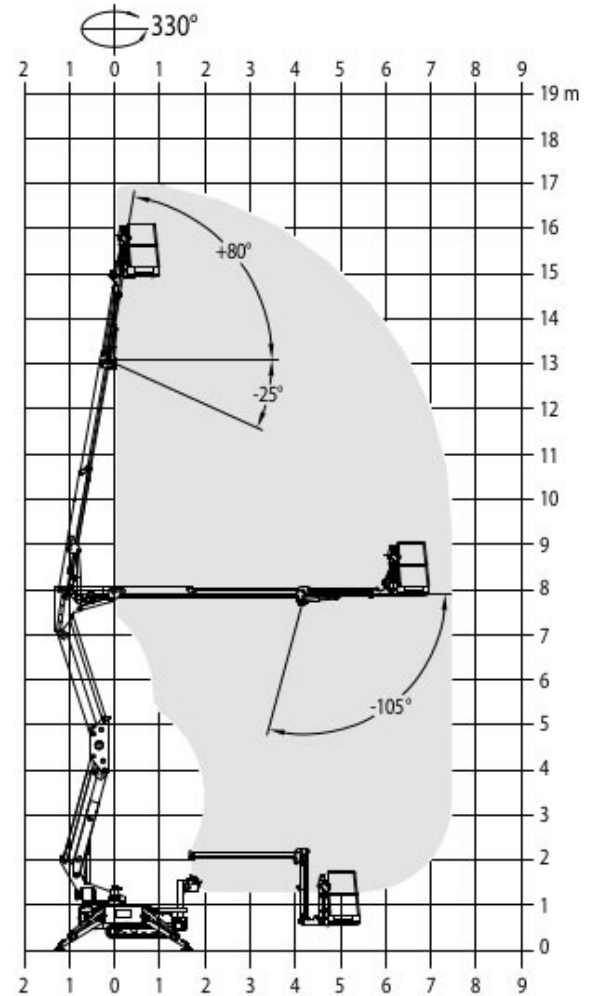
CTE CS170 Specification

| MEASUREMENTS | METRIC | US |
|---------------------------------------|--------------------|----|
| Working height (max) | 17.00 m | |
| Platform Height (max) | 15.00 m | |
| Horizontal outreach (max) | 7.50 m | |
| Platform height (min) | 2.00 m | |
| Length in travel position with cage | 4.25 m | |
| Height in travel position (min) | 2.00 m | |
| Width in travel position with cage | 1.30 m | |
| Width in travel position without cage | 0.80 m | |
| Outrigger footprint (W x L) | 2.85m x 2.85m | |
| Length outrigger footprint standard | 3.15 m | |
| Width outrigger footprint standard | 3.18 m | |
| Length footprint one side narrow | Not possible | |
| Width footprint one side narrow | Not possible | |
| Width footprint one side narrow | Not possible | |
| Removable cage | Yes | |
| Cage Dimensons (L x W x H) | 1.3m x 0.7m x 1.1m | |

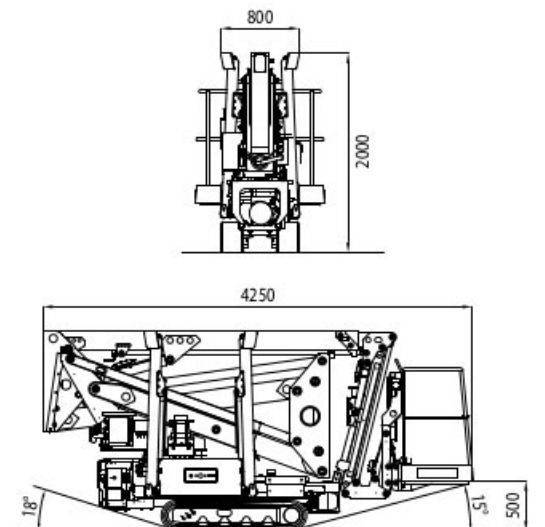
| PRODUCTIVITY | METRIC | US |
|------------------------------------|-----------|----|
| Basket capacity | 200 kg | |
| Movable jib | - | - |
| Basket rotation | 180° | |
| Turret rotation | 330° | |
| To be jacked up on ground slope of | | |
| Height and width track adjustment | | |
| Gradeability, max. | 31 % | |
| Slope angle | | |
| Travel speed | 1.50 km/h | |

| WEIGHT | METRIC | US |
|--------------------------------------|-------------------------|----|
| Total weight | 2000 kg | |
| Live load in travelling position | 5.919 kN/m ² | |
| Live load in working position | 1.959 kN/m ² | |
| Point load per outrigger plate, max. | 15 kN | |

| POWER | |
|----------------------------------|----------------------------------|
| Standard power sources | 1) Electric: 243A 3 Pin Plug |
| (Electric and combustion engine) | 2) Electric 110V 32A Yellow Plug |
| | 3) Diesel |
| Fuel tank capacity Diesel engine | |



WORKING ENVELOPE



STANDARDS COMPLIANCE

All measurements and weights are approximate and refer to the standard basic execution. Technical alterations reserved.

CTE CS170 Features

TRACK CHASSIS

- Most compact machine in its class

STABILISATION

- Automatic hydraulically actioned basket levelling
- Gradability approximatly 31 %
- Basket load sensing device

BOOM SYSTEM

- Versatile boom configuration
- Articulate + telescopic boom (main boom + extension) + jib
- 330° turret rotation on bearing turntable

POWER SOURCES

- Diesel
- 230 V 1,5 Kw auxilary engine

PRODUCTIVITY, SAFETY, QUALITY

- 230 V AC EC electric socket in the basket
- Individual, proportional electrohydraulic controls in basket
- Engine start and stop controls from basket
- Electro-hydraulic steering from the ground with an umbilical remote control system
- Hour meter

ACCESSORIES

-

Elev8 Access Platforms Ltd

Unit 2b Clay Street
off Newhall Rd
Sheffield
S9 2PF

Tel: 0845 274 3627

Fax: 0114 261 7333

Web: www.elev8hire.com